

Tinytag Plus Radio Single Input Voltage Data Logger



a logging products designed for outdoor and industrial use.
that forms a robust data network that allows a user to see
across a LAN or the Internet.

ur input low voltage data logger that is ideal for recording

Popular Applications

For custom sensor monitoring, including:

- Pressure
- Flow rate
- Light
- Power (with a current clamp)

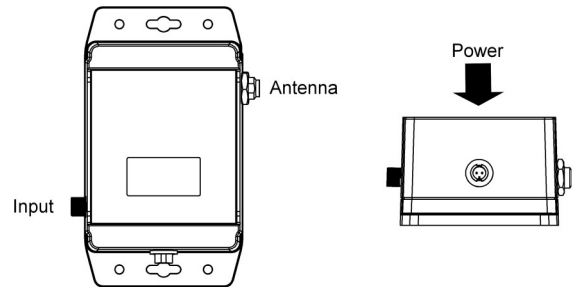
Tinytag Plus Radio Single Input Voltage Data Logger

Reading Specifications

Reading Range is a battery powered, single input radio data logger that can log to a PC or a USB. **Accuracy** $\pm 0.2\%$ of reading $\pm 0.01V$
Logger Resolution Better than $100\mu V$
Max Input as part of a Tinytag Connect system that requires a compatible Tinytag Explorer software.
Impedance Connect version of the Tinytag Explorer software.

- Warnings**
- ! **Warning** of the software and the configuration of the receiver, the logger is turned on and will establish itself as part of the mesh network the system creates.
 - This logger should only be connected to the inputs specified above, otherwise damage to the logger may occur.
 - Do not connect to voltages greater than 25V relative to earth or isolated supplies larger than 25V.

Connections



The typical range of the logger on a clear line of sight is 200m. This logger can be used with a CAB-3239 Tinytag Voltage/XP Input Lead (the logger is an AC/DC converter). User-defined logging interval, anything from once every 2 minutes to once every 10 days. At the end of every logging interval the logger will transmit the number of readings recorded during that period.

CAB-3239	5-Pin Plug	Function
Red	A	Not Connected
Green	B	Not Connected
White	C	Sense Line
Black	D	Common
Yellow	E	Not Connected

The logger has a signal line that changes state with a reading is taken when the limits entered are exceeded. The line goes from 0v to +3.3V whilst a reading is being taken (the line goes back to 0v when the reading cycle is complete) a graph or as a table of readings. There are also summary views containing information about the readings and a summary of all views.

Data from the logger can be connected to the data logger record on a single graph using Tinytag Explorer Connect.

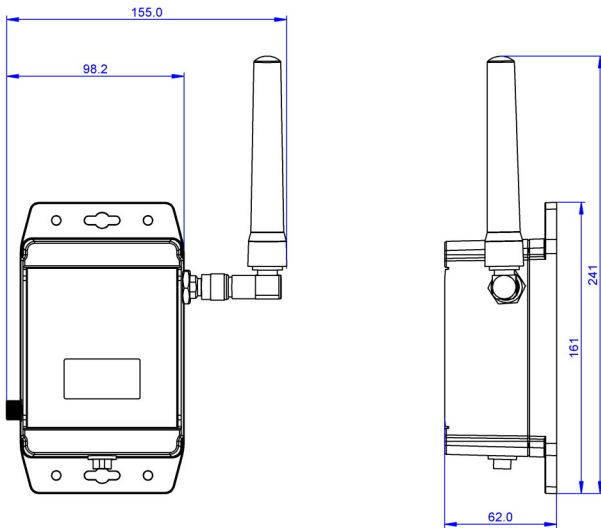
Data can be exported from the software as a graph image, for use in report writing, or as a data table, for further analysis in third-party spreadsheet programs.

Tinytag Plus Radio Single Input Voltage Data Logger

Physical Specification

Logging Interval	2 minutes to 10 days
Off-line storage Capacity*	2 weeks typical, at a 10 minute logging interval
Operational Range*	-20 to +55°C
Case Dimensions (excluding antenna)	
Length	155mm / 6.10"
Width	62mm / 2.44"
Depth	62mm / 2.44"
Weight (inc. antenna)	54g / 1.94oz

*The Operational Range indicates the physical limits to which the unit can be used. Communications with the gateway service are interrupted, by a power failure to the computer running the gateway service or an obstacle causing a



These drawings can be seen with a minimum resolution of 100dpi using the following link:

Radio Specification

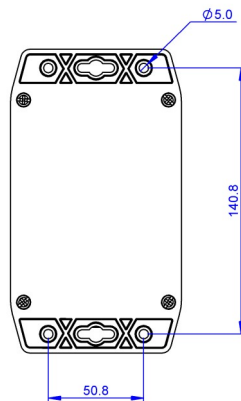
The logger can be used or placed on its back on a flat surface, such as a	
Radio Frequency	EU 869.88M AUS 917.8MF
Radio Power	EU <5mW (-) AUS 3mW (-)
Radio Range	200m, ty
Radio License	SRD lice

The logger uses FSK modulation, with +/-32 I

These frequencies will easily penetrate most be reduced to between 30% and 80% (howe increased, maybe up to double the nominal r and roofs etc.).

Although the radio waves cannot penetrate a iron sheds etc.) the signal will often still get th windows and air vents etc. The logger can also be positioned on a non- conducting flat surface, such as a wooden table, with the antenna pointing vertically, a with no other wires for example.

The advantage of the mesh network is that lo ranges will often be able to relay data though transmit further.



Tinytag Plus Radio Single Input Voltage Data Logger

Power Information

Battery Power

Battery Type 2 x Duracell Industrial ID1400
C (LR14) 1.5V (supplied)

The logger will operate with other C cell batteries but performance cannot be guaranteed.

Battery Life Typically 12 months

When the logger's batteries start to run flat, a low battery warning will be displayed in the Tinytag Explorer Connect software and the LED on the front of the logger will flash red. The low battery warnings will start to flash when the logger has approximately two weeks of battery power remaining.

Before replacing batteries the logger must be turned off.

Alkaline batteries should always be replaced in pairs.

Data stored in the radio system will be retained after batteries are replaced.

A lithium battery powered version of the logger is also available, that provides a wider working temperature range and a longer battery life. Please contact your supplier for further details.

Mains Power

The logger can also be powered from the mains using a plug-in power supply.

If the power supply is interrupted, the logger's batteries will power the logger and continue recording until the supply is restored.

Note: This logger should only be used with an ACS-0044 Tinytag Plus Radio power supply.

Calibration

This logger is configured to meet Gemini's quoted accuracy specification during its manufacture.

We recommend that the calibration of this unit should be checked annually against a calibrated reference meter.

A traceable certificate of calibration can be supplied for an additional charge either at the point of purchase, or if the unit is returned for a Service Calibration.

Warranty

This product carries a manufacturing defects warranty of 12 months from the date of purchase. Units returned under warranty will be repaired or replaced at the manufacturer's discretion. This warranty does not cover mishandling, modification or battery replacement and is subject to our standard Terms and Conditions of Sale, a copy of which can be found at www.tinytag.info.